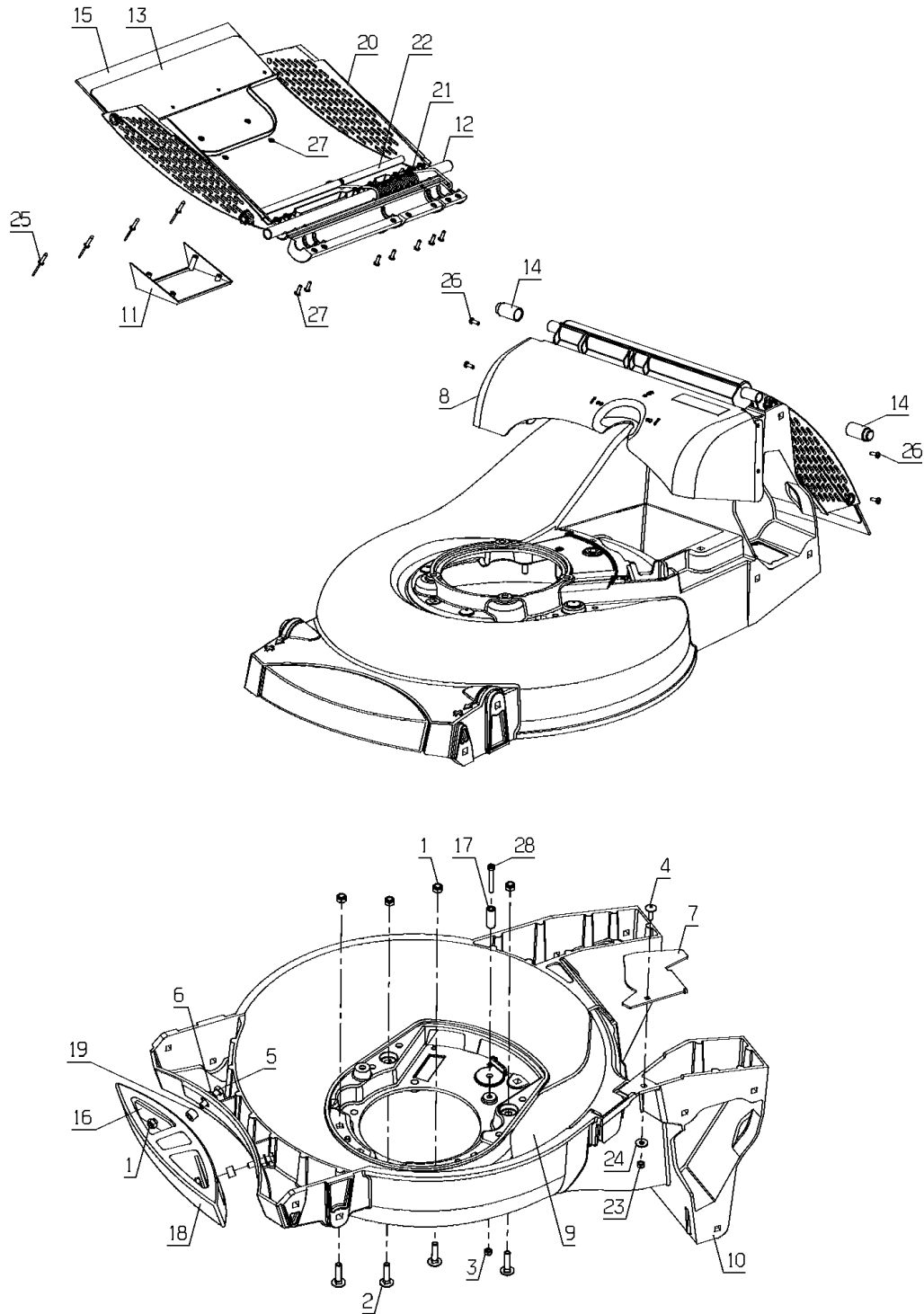


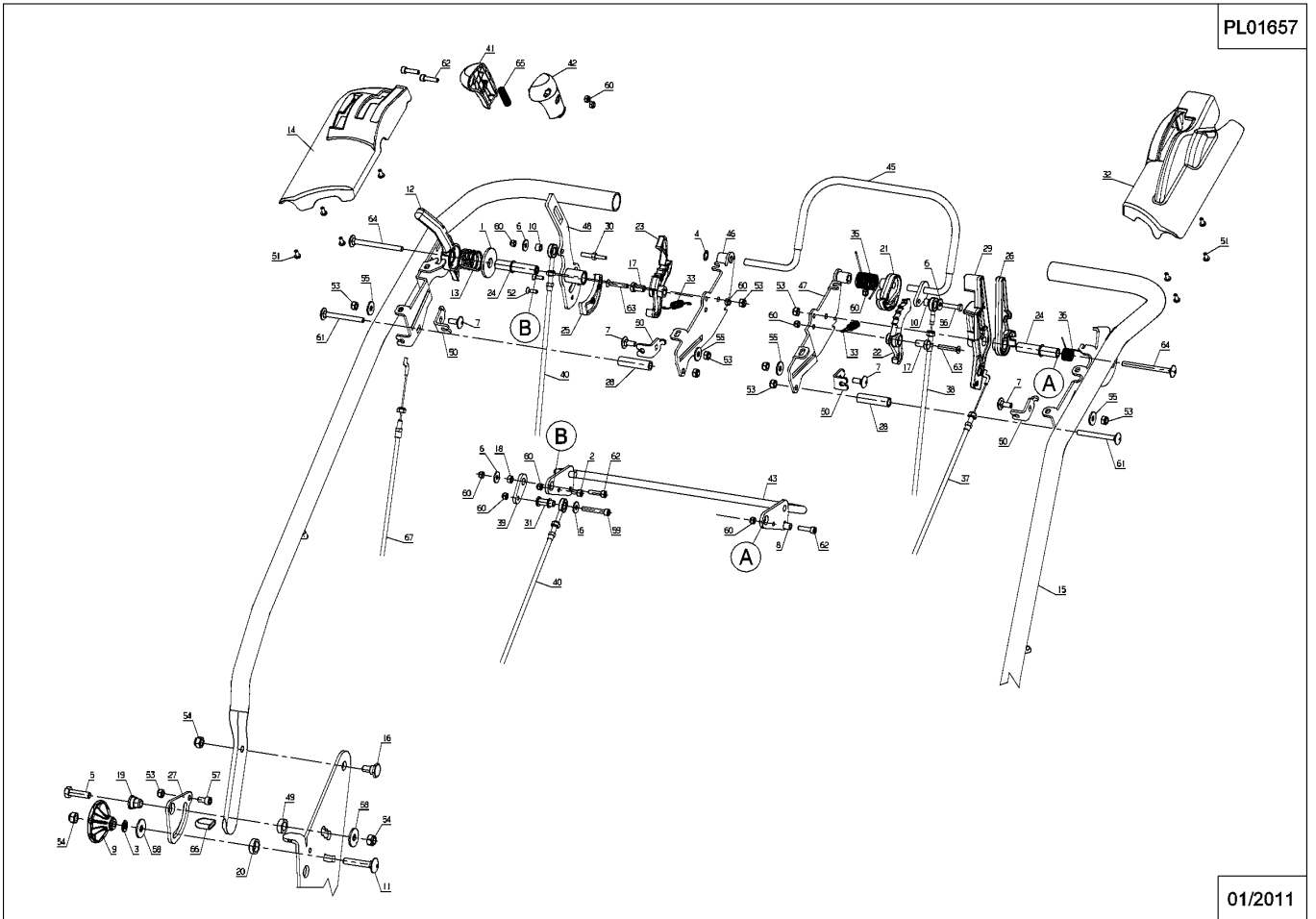
PL02263



12/2015

| Number | Part Number | Name | Quantity |
|--------|-------------|---------------------|----------|
| 1 | 71205 | SCREW M8 | 1,000 |
| 2 | 5041 | BOLT 8X30 | 1,000 |
| 3 | 71201 | NUT M6 | 1,000 |
| 4 | 5496 | SCREW 6X20 | 1,000 |
| 5 | 7038 | SCREW,DIN933 H M 8X | 1,000 |
| 6 | 7335 | WASHER | 1,000 |
| 7 | 36248 | COVER | 1,000 |
| 8 | 37029 | BLOCK.PUMP COVER | 1,000 |
| 9 | 37265 | SEALING PLATE | 1,000 |
| 10 | 37816 | CUTTING DECK P53 WH | 1,000 |
| 11 | 40047 | GRIP | 1,000 |
| 12 | 40528 | TUBE | 1,000 |
| 13 | 40551 | FLAPPER PLATE | 1,000 |
| 14 | 40578 | HINGE RING | 1,000 |
| 15 | 40589 | DEFLECTOR FLAPPER | 1,000 |
| 16 | 42059 | BUMPER PLATE | 1,000 |
| 17 | 42027 | BUSH 12X6,5X32,5 | 1,000 |
| 18 | 42042 | FRONT BUMPER | 1,000 |
| 19 | 42043 | BUSH 15X8,5X10 | 1,000 |
| 20 | 43154 | DEFLECTOR | 1,000 |
| 21 | 43122 | SPRING | 1,000 |
| 22 | 43126 | DEFLECTOR REINFORC. | 1,000 |
| 24 | 71096 | WASHER B6,4 | 1,000 |
| 25 | 71112 | DIA.4X18 STAR RIVET | 1,000 |
| 26 | 71279 | SCREW B.42-13 4.6 | 1,000 |
| 27 | 71299 | SCREW EJPT KA 40X14 | 1,000 |
| 28 | 71342 | SCREW M6X45 8.8 | 1,000 |

PL01657

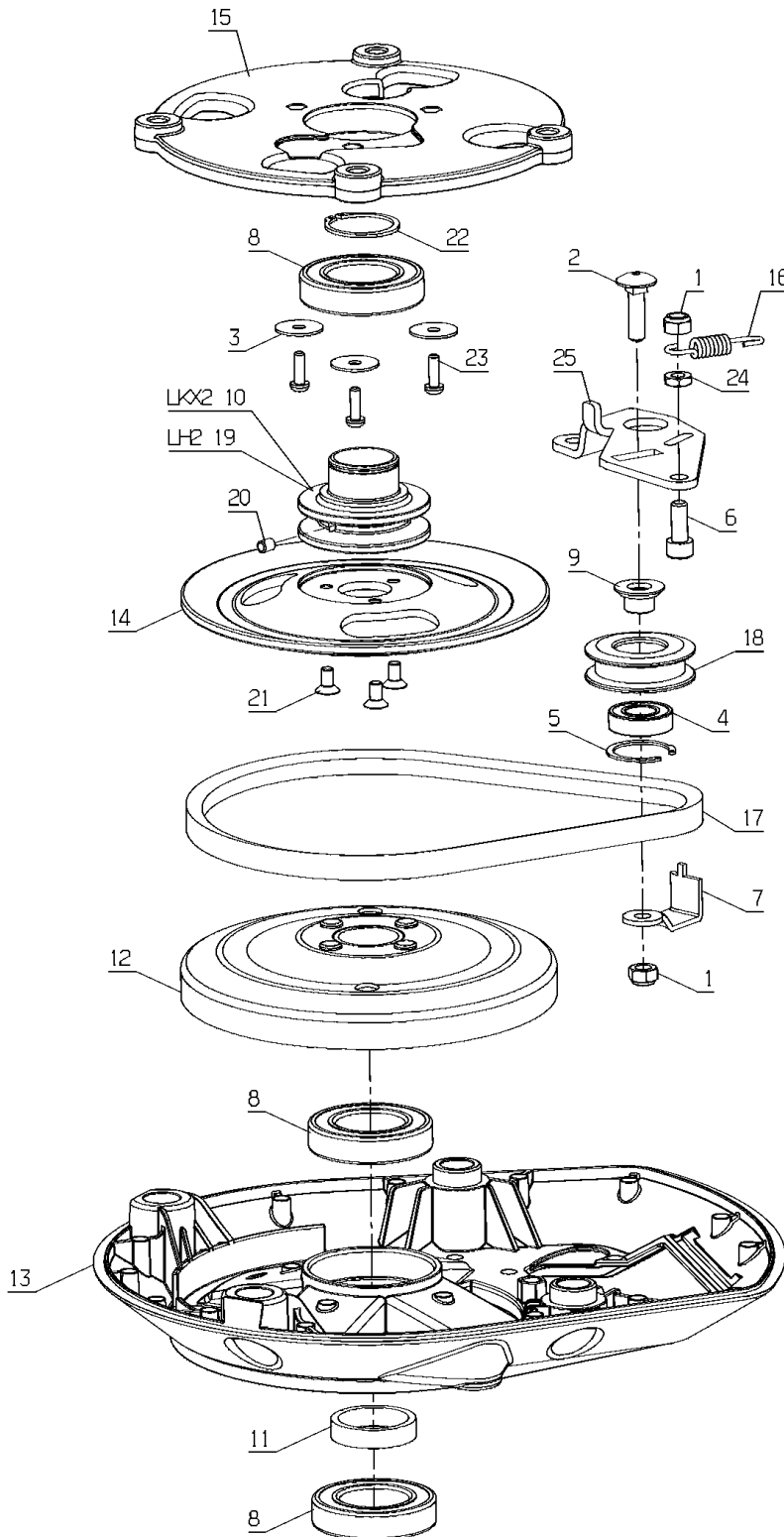


01/2011

| Number | Part Number | Name | Quantity |
|--------|-------------|---------------------|----------|
| 1 | 1517 | WASHER 13X40X3 | 1,000 |
| 2 | 5464 | BOLT M5X10 | 1,000 |
| 3 | 6416 | WASHER | 1,000 |
| 4 | 7377 | TRUARC COLLAR DIN 7 | 1,000 |
| 5 | 9061 | BOLT 8X30 | 1,000 |
| 6 | 21481 | WASHER | 1,000 |
| 7 | 21608 | SCREW 6X16 DIN | 1,000 |
| 8 | 23029 | KNUCKLE RING | 1,000 |
| 9 | 24610 | BUTTON (SMALL) | 1,000 |
| 10 | 35511 | SPACER D9/D5,2X6 | 1,000 |
| 11 | 35559 | SCREW JM8-45 | 1,000 |
| 12 | 36865 | LOCKING LEVEL | 1,000 |
| 13 | 36866 | SPRING | 1,000 |
| 14 | 37013 | COVER | 1,000 |
| 15 | 37933 | HANDLE BAR BLACK | 1,000 |
| 16 | 40102 | PIVOT | 1,000 |
| 17 | 40509 | SPACER | 1,000 |
| 18 | 40524 | SPACER D9/D5,2X4,3 | 1,000 |
| 19 | 40530 | SPACER | 1,000 |
| 20 | 40532 | SPACER | 1,000 |
| 21 | 40539 | LATCH | 1,000 |
| 22 | 40543 | THROTTLE INDEXING | 1,000 |
| 23 | 40544 | INDEXED DISK | 1,000 |
| 24 | 40545 | SLIDER | 1,000 |
| 25 | 40547 | CAM VARIATOR | 1,000 |
| 26 | 40549 | LOCK | 1,000 |
| 27 | 40550 | PLATE | 1,000 |
| 28 | 40553 | PLATE SPACER | 1,000 |
| 29 | 40555 | THROTTLE LEVER | 1,000 |
| 30 | 40559 | AXLE | 1,000 |
| 31 | 40561 | CAM AXLE | 1,000 |
| 32 | 40563 | COVER | 1,000 |
| 33 | 40565 | SPRING | 1,000 |
| 34 | 40566 | 40566 | 1,000 |
| 35 | 40568 | FEDER | 1,000 |
| 36 | 40569 | SPRING | 1,000 |
| 37 | 40571 | THROTTLE CABLE | 1,000 |
| 38 | 40572 | BLADE BRAKE CABLE | 1,000 |
| 39 | 40573 | VARIATOR PLATE | 1,000 |
| 40 | 39671 | TRANSMISSION CABLE | 1,000 |
| 41 | 40576 | RIGHT SHELL | 1,000 |

| Number | Part Number | Name | Quantity |
|--------|-------------|--------------------|----------|
| 42 | 40577 | LEFT SHELL | 1,000 |
| 43 | 40803 | BOW | 1,000 |
| 44 | 40805 | 40805 | 1,000 |
| 45 | 40810 | BOW | 1,000 |
| 46 | 40813 | BRACKET | 1,000 |
| 47 | 40821 | BRACKET | 1,000 |
| 48 | 40826 | VARIATOR LEVER | 1,000 |
| 49 | 42675 | SPACER | 1,000 |
| 50 | 43558 | STOP | 1,000 |
| 51 | 71048 | BOLT EJ.PT KA40X10 | 1,000 |
| 52 | 71050 | BOLT EJ.PT KA40X14 | 1,000 |
| 53 | 71201 | NUT M6 | 1,000 |
| 54 | 71074 | NUT HM8 | 1,000 |
| 55 | 71096 | WASHER B6,4 | 1,000 |
| 56 | 71135 | SCREW 5X25 | 1,000 |
| 57 | 71355 | HEX.SCREW M6X10 | 1,000 |
| 58 | 71274 | WASHER B8.4 | 1,000 |
| 59 | 5399 | BOLT M5X40 | 1,000 |
| 60 | 71308 | LOCK NUT M5 | 1,000 |
| 61 | 71407 | SCREW JM6-60 | 1,000 |
| 62 | 71408 | SCREW CHC M5-20 | 1,000 |
| 63 | 71409 | SCREW FHC/90 M5-30 | 1,000 |
| 64 | 71462 | SCREW JM6-75 | 1,000 |
| 65 | 40556 | SPRING | 1,000 |
| 66 | 35778 | HANDLE BAR STOP | 1,000 |
| 67 | 36869 | LOCKING CABLE | 1,000 |

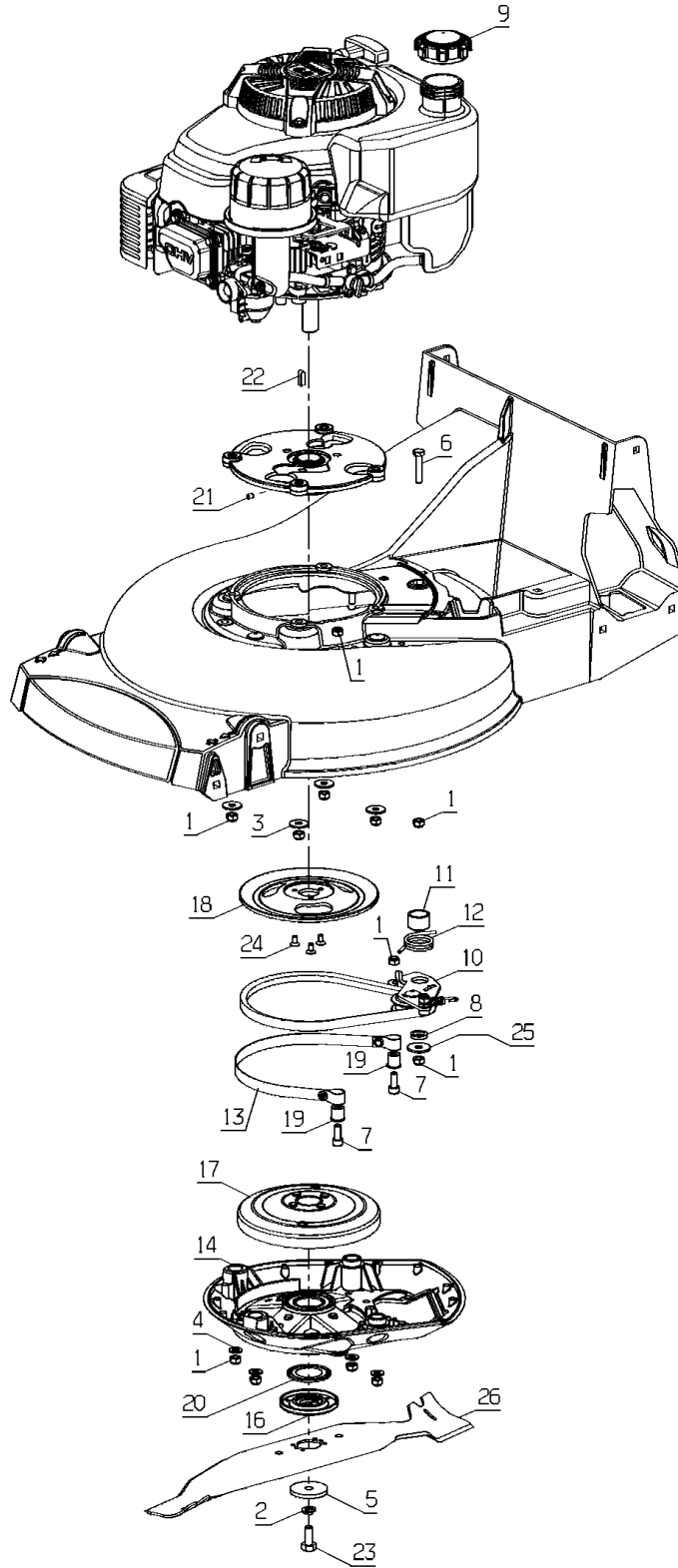
PL02259



12/2015

| Number | Part Number | Name | Quantity |
|--------|-------------|--------------------|----------|
| 1 | 71205 | SCREW M8 | 1,000 |
| 2 | 5041 | BOLT 8X30 | 1,000 |
| 3 | 5604 | WASHER | 1,000 |
| 4 | 9022 | BALL BEARING 6002 | 1,000 |
| 5 | 21256 | CIRCLIP | 1,000 |
| 6 | 22011 | BOLT M 8X20 | 1,000 |
| 7 | 24155 | BELT STOP | 1,000 |
| 8 | 24832 | BEARING 6007-2RS1 | 1,000 |
| 9 | 24836 | RING | 1,000 |
| 10 | 39807 | PULLEY DIA. 25 | 1,000 |
| 11 | 39480 | SPACER | 1,000 |
| 12 | 39482 | HALF PULLEY | 1,000 |
| 13 | 39803 | BLADE HOLDER | 1,000 |
| 14 | 39804 | FLYWHEEL | 1,000 |
| 15 | 39808 | ENGINE BRACKET | 1,000 |
| 16 | 40591 | SPRING | 1,000 |
| 17 | 42009 | BELT AX25-13X8X660 | 1,000 |
| 18 | 42070 | IRON PULLEY DIA.45 | 1,000 |
| 19 | 51427 | PULLEY DIA. 25,4 | 1,000 |
| 20 | 52022 | SCREW M6-8 | 1,000 |
| 21 | 71021 | SCREW FHC/90 M6X12 | 1,000 |
| 22 | 71174 | CIRCLIP 35X1,5 | 1,000 |
| 23 | 71211 | BOLT EJ-PT 50X16 | 1,000 |
| 24 | 71347 | NUT M8X1,25 | 1,000 |
| 25 | 37467 | CLUTCH PLATE | 1,000 |

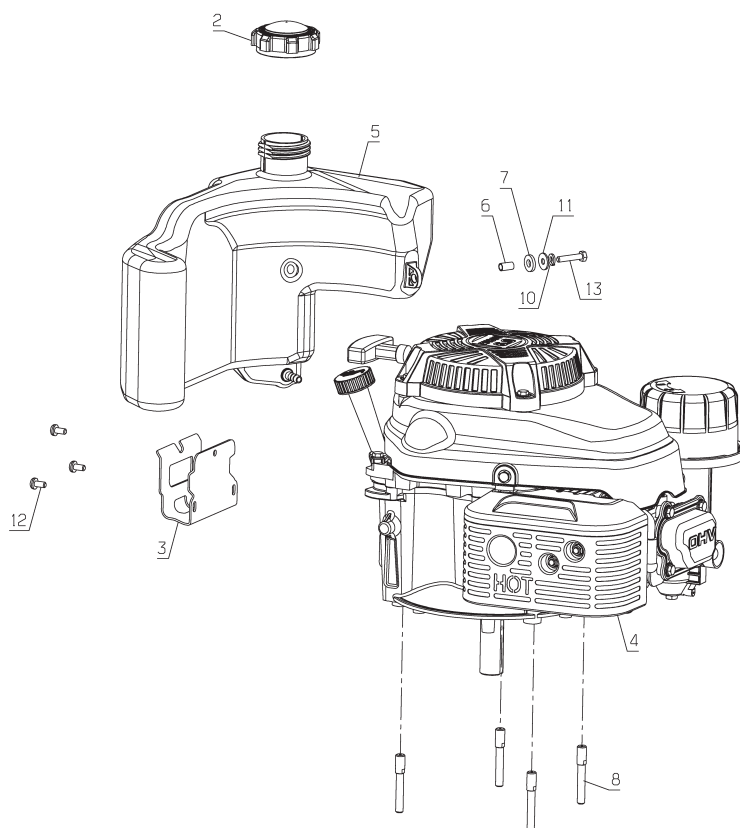
PL02265



01/2016

| Number | Part Number | Name | Quantity |
|--------|-------------|---------------------|----------|
| 1 | 71205 | SCREW M8 | 1,000 |
| 2 | 71052 | SPRING WASHER,DIN 1 | 1,000 |
| 3 | 7035 | FLAT WASHER | 1,000 |
| 4 | 7335 | WASHER | 1,000 |
| 5 | 7341 | FLAT WASHER 10,3X49 | 1,000 |
| 6 | 21114 | BOLT 8X40 | 1,000 |
| 7 | 22011 | BOLT M 8X20 | 1,000 |
| 8 | 24046 | VARIATOR PIVOT | 1,000 |
| 9 | 35904 | PLUG | 1,000 |
| 10 | 36872 | BRAKE TENSIONER CPL | 1,000 |
| 11 | 36947 | SPACER | 1,000 |
| 12 | 36948 | TORSION SPRING | 1,000 |
| 13 | 37895 | BRAKE STRIP | 1,000 |
| 14 | 39336 | BLADE HOLDER CPLT | 1,000 |
| 15 | 39338 | ENGINE BRACKET CPLT | 1,000 |
| 16 | 39481 | BLADE WASHER | 1,000 |
| 17 | 39482 | HALF PULLEY | 1,000 |
| 18 | 39804 | FLYWHEEL | 1,000 |
| 19 | 40538 | BRAKE STRIP BLOCK | 1,000 |
| 20 | 50541 | WASHER | 1,000 |
| 21 | 52022 | SCREW M6-8 | 1,000 |
| 22 | 52096 | KEY | 1,000 |
| 23 | 70086 | HEXAGON SCREW,DIN 9 | 1,000 |
| 24 | 71021 | SCREW FHC/90 M6X12 | 1,000 |
| 25 | 71311 | WASHER 8X30X2,5 | 1,000 |
| 26 | RZ53VN | BLADE 53CM | 1,000 |

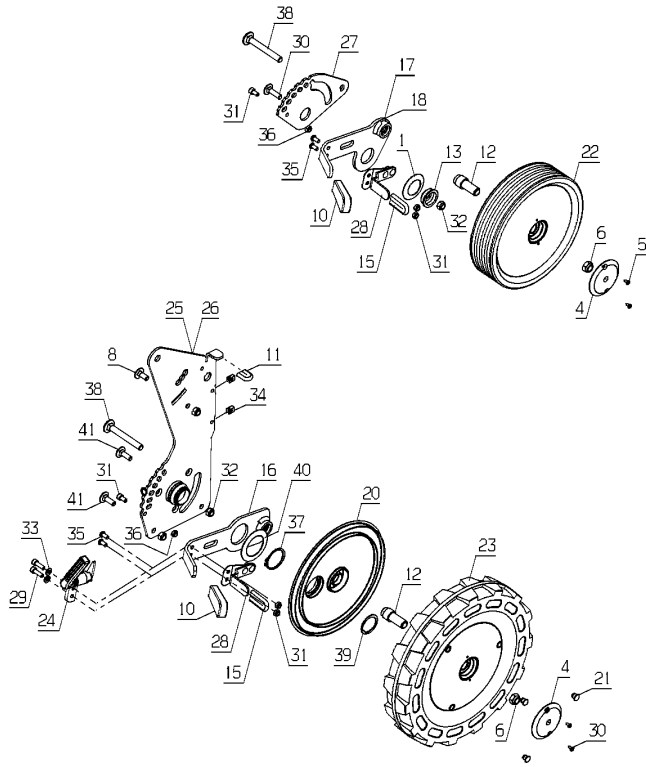
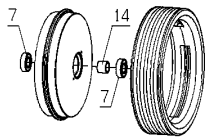
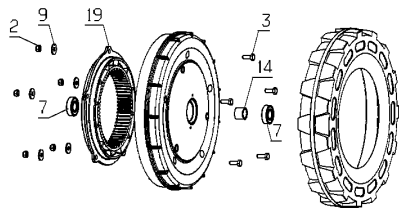
PL02687



05/2022

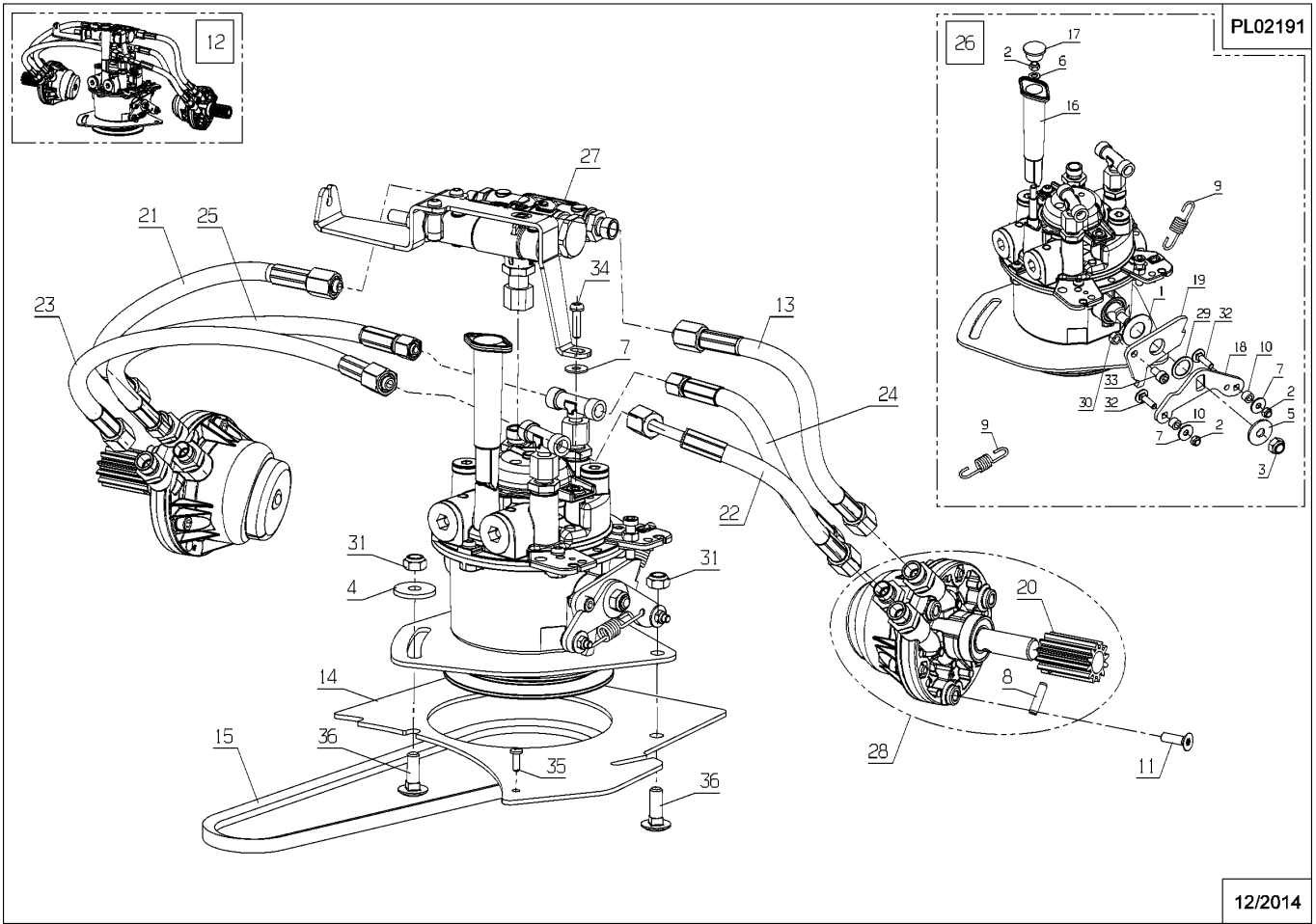
| Number | Part Number | Name | Quantity |
|--------|-------------|---------------------|----------|
| 2 | 35904 | PLUG | 1,000 |
| 3 | 39661 | TANK BRACKET | 1,000 |
| 4 | 43104 | KAWA ENGINE FJ180V | 1,000 |
| 5 | 50627 | TANK | 1,000 |
| 6 | 52046 | SPACER | 1,000 |
| 7 | 52054 | WASHER | 1,000 |
| 8 | 52178 | PIN M10X20 / M8X16 | 1,000 |
| 9 | 53314 | TANK BRACKET | 1,000 |
| 10 | 71049 | SPRING WASHER,DIN 1 | 1,000 |
| 11 | 71096 | WASHER B6,4 | 1,000 |
| 12 | 71271 | SCREW EJ-PT DG60X12 | 1,000 |
| 13 | 71333 | H.SCREW M6X30 8.8 | 1,000 |

PL02261



12/2015

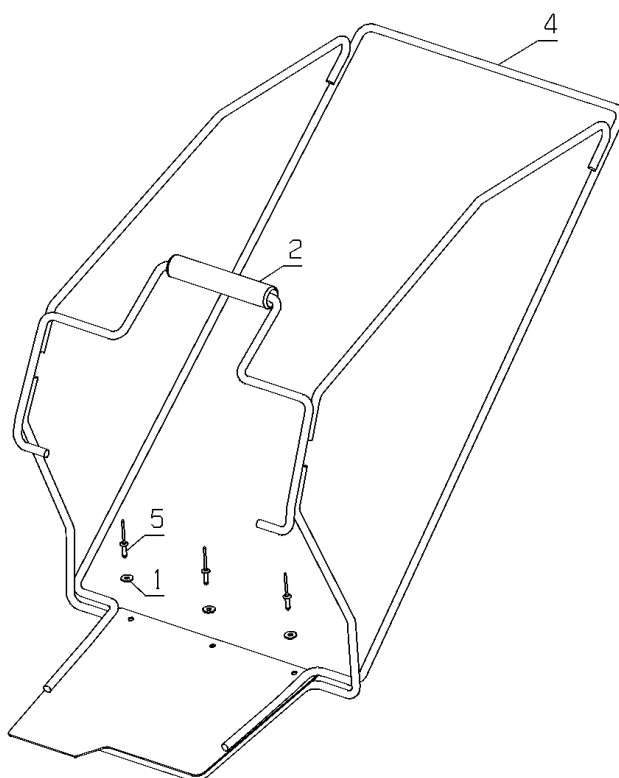
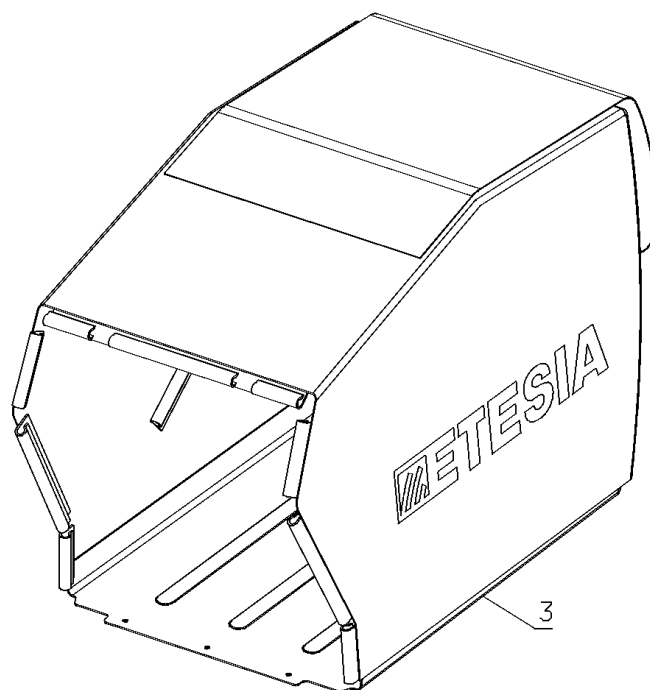
| Number | Part Number | Name | Quantity |
|--------|-------------|---------------------|----------|
| 1 | 5067 | WASHER BELLEVILLE | 1,000 |
| 2 | 71201 | NUT M6 | 1,000 |
| 3 | 37997 | SCREW HM6-16 8.8 | 1,000 |
| 4 | 5472 | WHEEL CAP | 1,000 |
| 5 | 7914 | SCREW | 1,000 |
| 6 | 9017 | NUT HM10 | 1,000 |
| 7 | 9022 | BALL BEARING 6002 | 1,000 |
| 8 | 9071 | SCREW M8X20 | 1,000 |
| 9 | 21270 | WASHER 6,4 | 1,000 |
| 10 | 27071 | HANDLE DECORATION | 1,000 |
| 11 | 35778 | HANDLE BAR STOP | 1,000 |
| 12 | 35033 | WHEEL AXLE | 1,000 |
| 13 | 40531 | RING | 1,000 |
| 14 | 40585 | SPACER | 1,000 |
| 15 | 40594 | GRIP | 1,000 |
| 16 | 40814 | WHEEL BRACKET | 1,000 |
| 17 | 40827 | WHEEL BRACKET | 1,000 |
| 18 | 40828 | WHEEL BRACKET | 1,000 |
| 19 | 42507 | INTERNAL GEAR | 1,000 |
| 20 | 42519 | WHEEL COVER BLACK | 1,000 |
| 21 | 42608 | REAR WHEEL PLUG | 1,000 |
| 22 | 42650 | FRONT WHEEL CPLT GR | 1,000 |
| 23 | 42654 | REAR WHEEL CPLT GR. | 1,000 |
| 24 | 51789 | BRAKE | 1,000 |
| 25 | 51877 | CUT. HGT.R.R.PLATE | 1,000 |
| 26 | 51880 | CUT. HGT.R.L.PLATE | 1,000 |
| 27 | 51882 | CUT.HGT.FRONT PLATE | 1,000 |
| 28 | 51874 | CUTTG.HEIGHT PLATE | 1,000 |
| 29 | 71044 | CAP SCREW,DIN 912-8 | 1,000 |
| 30 | 71070 | SCREW 8X30 | 1,000 |
| 32 | 71074 | NUT HM8 | 1,000 |
| 33 | 71094 | WASHER 6,4 | 1,000 |
| 34 | 71145 | NUT 536 | 1,000 |
| 35 | 71196 | SCREW M6X12 | 1,000 |
| 36 | 71355 | HEX.SCREW M6X10 | 1,000 |
| 37 | 71393 | CIRCLIP | 1,000 |
| 38 | 71395 | SCREW JM10-80 | 1,000 |
| 39 | 71396 | CIRCLIP | 1,000 |
| 40 | 71397 | SPRING | 1,000 |
| 41 | 71456 | SCREW M 8X25 | 1,000 |



| Number | Part Number | Name | Quantity |
|--------|-------------|---------------------|----------|
| 1 | 1511 | WASHER 31.5X16X1 | 1,000 |
| 2 | 37561 | NUT | 1,000 |
| 3 | 71205 | SCREW M8 | 1,000 |
| 4 | 5444 | WASHER | 1,000 |
| 5 | 7035 | FLAT WASHER | 1,000 |
| 6 | 20564 | WASHER 5,5 | 1,000 |
| 7 | 21481 | WASHER | 1,000 |
| 8 | 21609 | PIN 5X22 | 1,000 |
| 9 | 24838 | SPRING | 1,000 |
| 10 | 35511 | SPACER D9/D5,2X6 | 1,000 |
| 11 | 36962 | SCREW FX M6-20 TX30 | 1,000 |
| 12 | 40844 | TRANSMISSION HYD. | 1,000 |
| 13 | 37891 | HOSE FRONT LEFT | 1,000 |
| 14 | 37926 | PUMP BRACKET | 1,000 |
| 15 | 37967 | BELT ZPZ 787 | 1,000 |
| 16 | 37980 | BY PASS BUTTOM | 1,000 |
| 17 | 40519 | BUTTOM | 1,000 |
| 18 | 40708 | TRACTION LEVER | 1,000 |
| 19 | 40711 | DEAD POINT STOP | 1,000 |
| 20 | 40722 | GEAR | 1,000 |
| 21 | 40729 | HOSE | 1,000 |
| 22 | 40731 | HOSE | 1,000 |
| 23 | 40732 | HOSE | 1,000 |
| 24 | 40733 | HOSE | 1,000 |
| 25 | 40734 | HOSE | 1,000 |
| 26 | 40988 | HYD.PUMP DIFF. | 1,000 |
| 27 | 40991 | BY-PASS ASSY CPLT | 1,000 |
| 28 | 40993 | HYD. ENGINE | 1,000 |
| 29 | 71016 | WASHER 16X22X1 | 1,000 |
| 30 | 71201 | NUT M6 | 1,000 |
| 31 | 71074 | NUT HM8 | 1,000 |
| 32 | 71183 | SCREW M5X20 | 1,000 |
| 33 | 71355 | HEX.SCREW M6X10 | 1,000 |
| 34 | 71244 | BOLT EJ-PT 50X20 | 1,000 |
| 35 | 71279 | SCREW B.42-13 4.6 | 1,000 |
| 36 | 71456 | SCREW M 8X25 | 1,000 |

RU53E

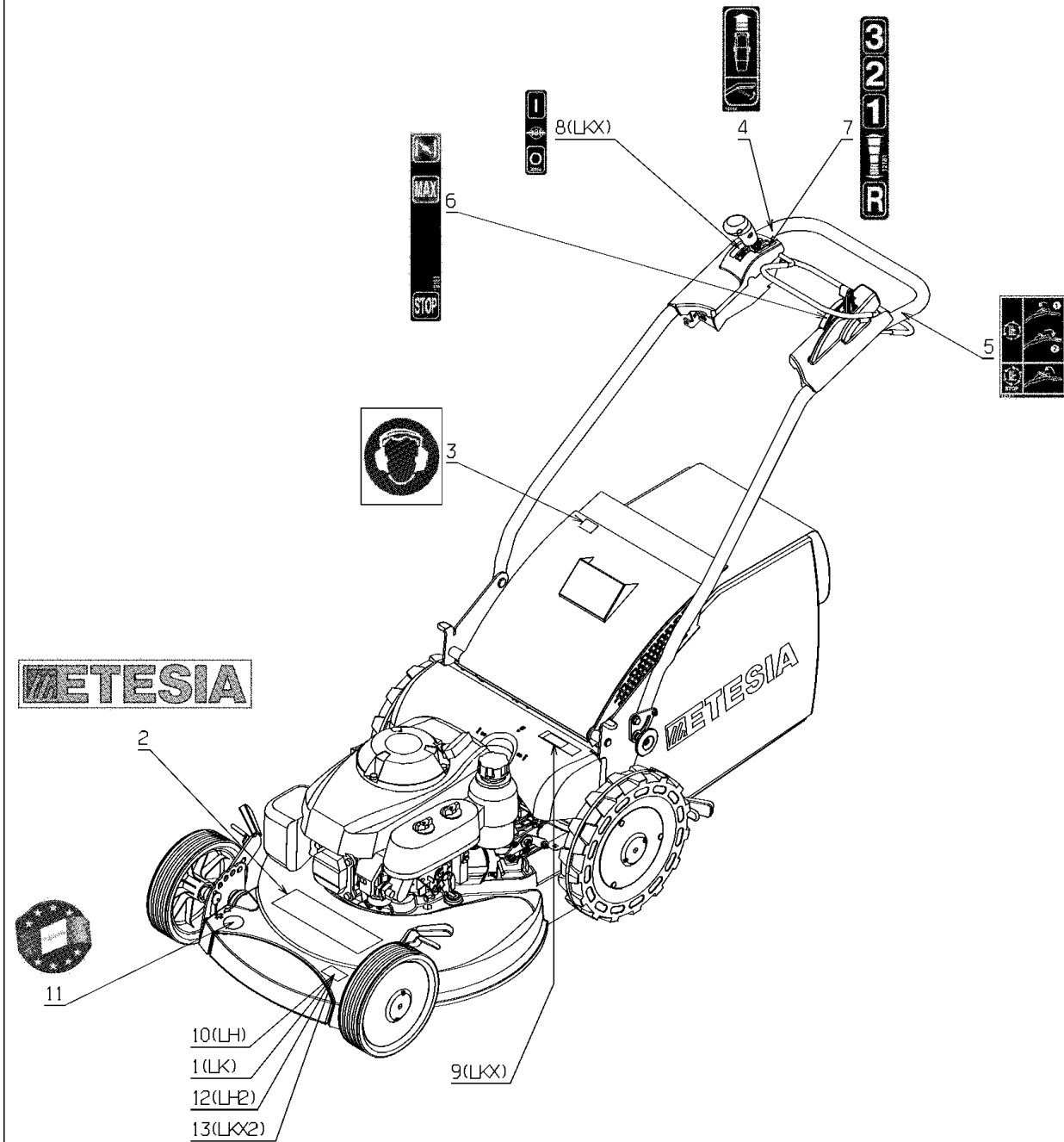
PL01276



02/2010

| Number | Part Number | Name | Quantity |
|--------|-------------|---------------------|----------|
| 1 | 7094 | FLAT WASHER | 1,000 |
| 2 | 24991 | -> 2X 24903 | 1,000 |
| 3 | 40660 | GRASBAG | 1,000 |
| 4 | 40849 | GRASBAG FRAME | 1,000 |
| 5 | 71113 | NAIL RIVET, DIA. 4X | 1,000 |

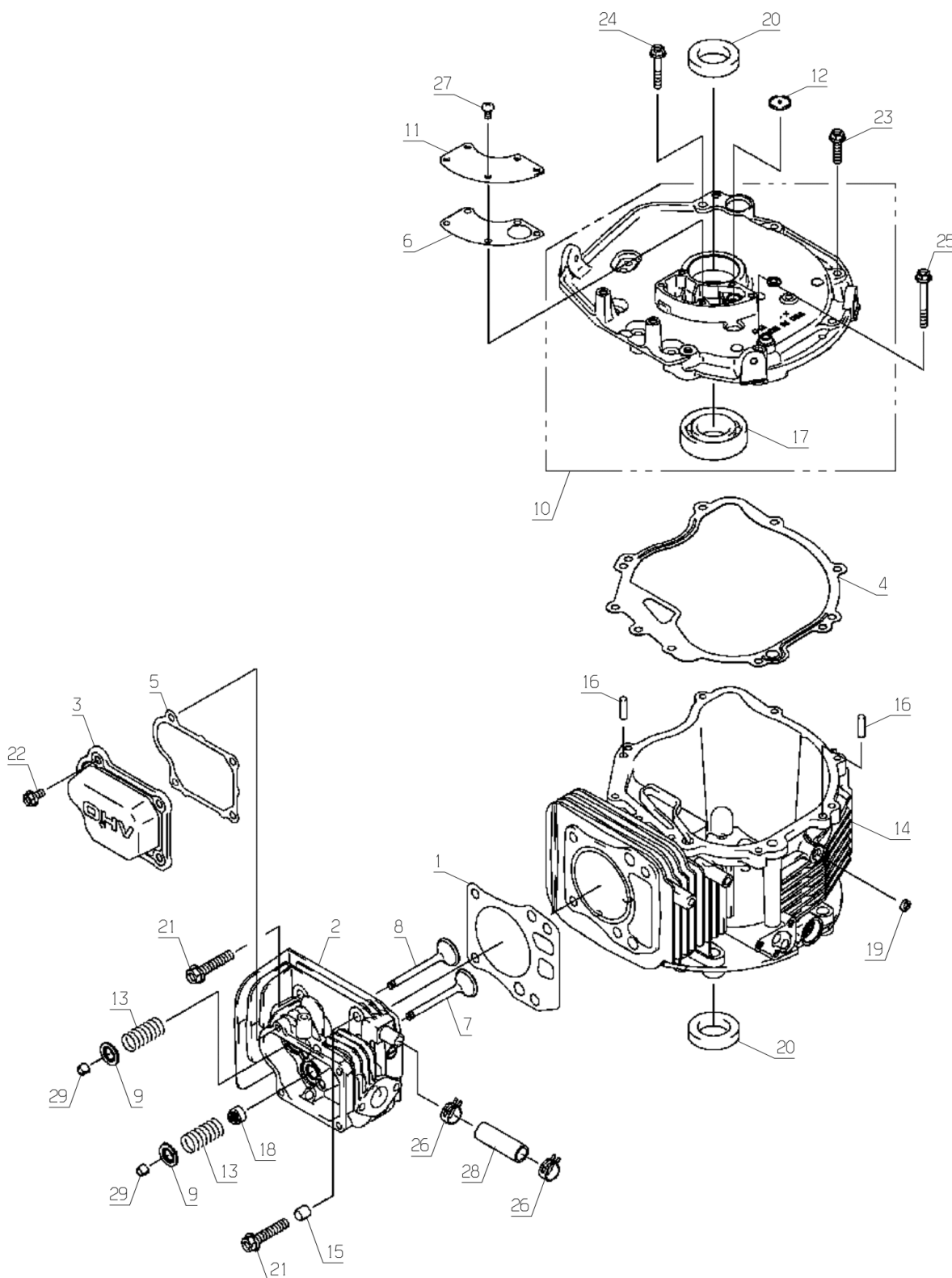
PL01574



12/2015

| Number | Part Number | Name | Quantity |
|--------|-------------|---------------------|----------|
| 1 | 11507 | LK STICKER | 1,000 |
| 2 | 12048 | STICKER 26*4 | 1,000 |
| 3 | 12136 | SOUNDPROOF LABEL | 1,000 |
| 4 | 12146 | ADVANCE LABEL | 1,000 |
| 5 | 12163 | BLADE CLUTCH STICKE | 1,000 |
| 6 | 12169 | START STICKER | 1,000 |
| 7 | 12181 | STICKER | 1,000 |
| 8 | 38284 | STICKER | 1,000 |
| 9 | 38334 | STICKER LKX | 1,000 |
| 10 | 38336 | STICKER LH | 1,000 |
| 11 | 38728 | STICKER FRANCE/EURO | 1,000 |
| 12 | 12226 | STICKER LH2 | 1,000 |
| 13 | 12224 | STICKER LKX2 | 1,000 |

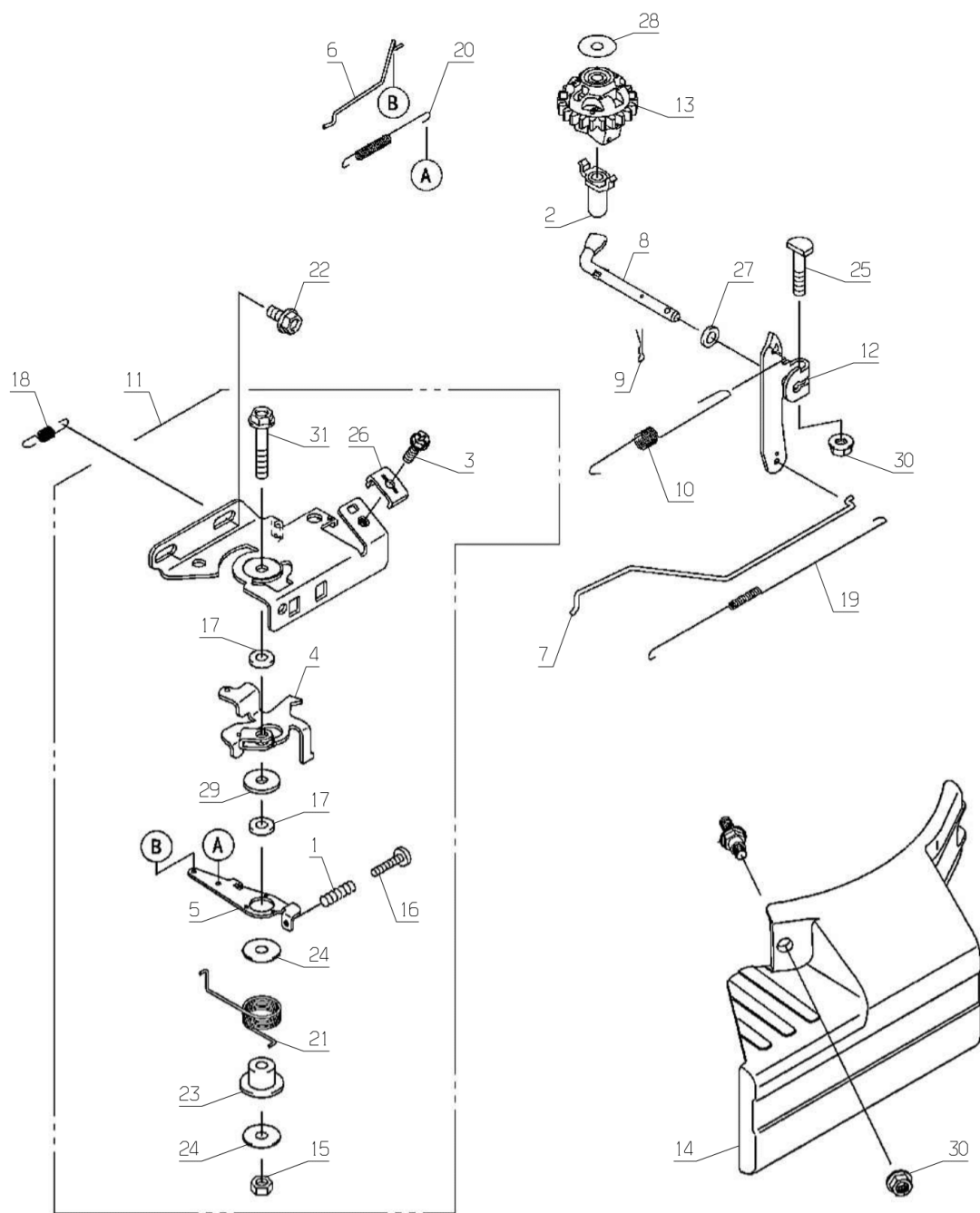
PL02307



01/2017

| Number | Part Number | Name | Quantity |
|--------|-------------|--------------------|----------|
| 1 | 15119 | CYLIND.HEAD GASKET | 1,000 |
| 2 | 15138 | CYLINDER HEAD | 1,000 |
| 3 | 15139 | COVER HEAD | 1,000 |
| 4 | 15183 | GASKET | 1,000 |
| 5 | 15187 | GASKET | 1,000 |
| 6 | 15191 | GASKET | 1,000 |
| 7 | 15196 | INLET VAVE | 1,000 |
| 8 | 15197 | EXHAUST VALVE | 1,000 |
| 9 | 15198 | WASHER | 1,000 |
| 10 | 17138 | HOUSING | 1,000 |
| 11 | 17149 | COVER | 1,000 |
| 12 | 17233 | SNIFTING VALVE | 1,000 |
| 13 | 17549 | SPRING | 1,000 |
| 14 | 17626 | CYLINDER | 1,000 |
| 15 | 17739 | CENTRING 10X12 | 1,000 |
| 16 | 17740 | CENTRING 6X12 | 1,000 |
| 17 | 17770 | BEARING 62/28 | 1,000 |
| 18 | 17779 | GASKET | 1,000 |
| 19 | 17781 | GASKET 6X10X2.5 | 1,000 |
| 20 | 17782 | GASKET 28X44X9 | 1,000 |
| 21 | 17913 | SCREW 8X45 | 1,000 |
| 22 | - | - | 1,000 |
| 23 | 17944 | SCREW 6X25 | 1,000 |
| 24 | 17947 | SCREW 6X50 | 1,000 |
| 25 | 18023 | SCREW 6X50 | 1,000 |
| 26 | 18035 | COLLAR | 1,000 |
| 27 | 18039 | SCREW 5X10 | 1,000 |
| 28 | 18053 | HOSE 12X16X49 | 1,000 |
| 29 | 18136 | PELLET | 1,000 |

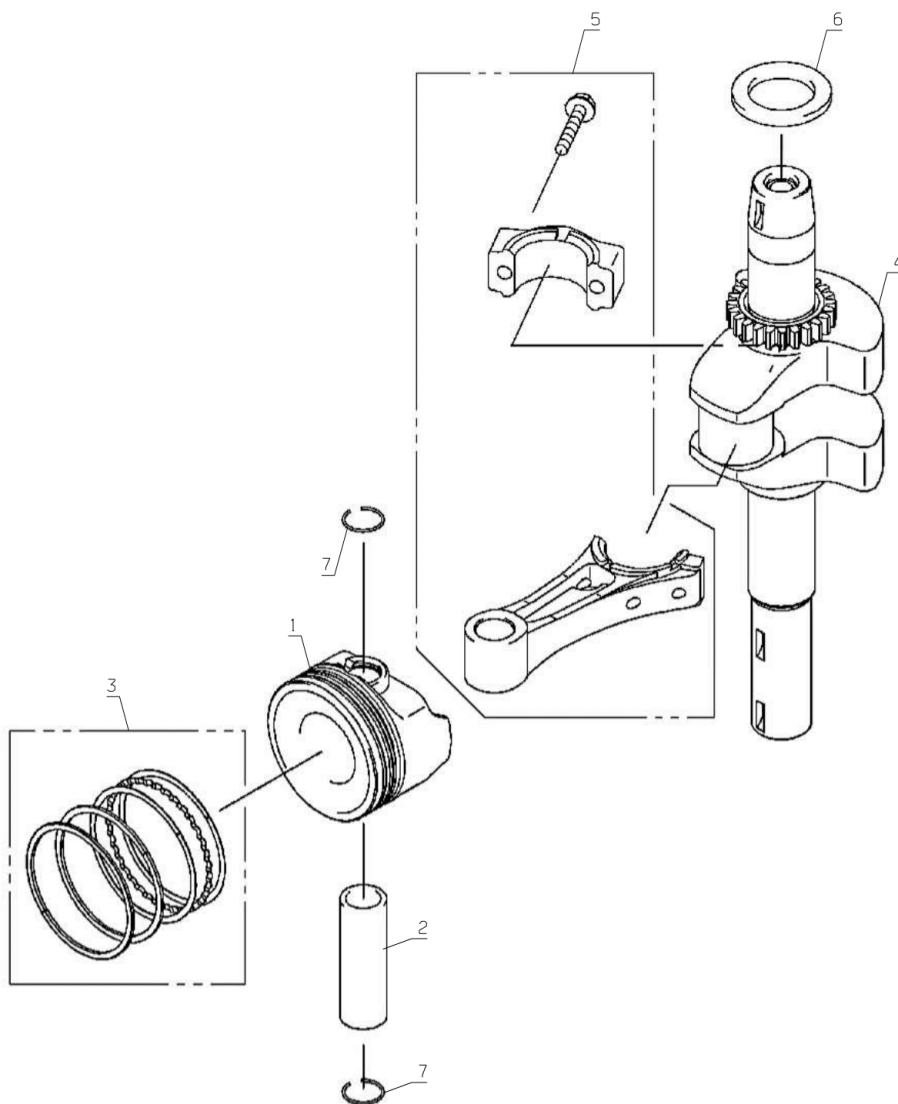
PL02308



01/2017

| Number | Part Number | Name | Quantity |
|--------|-------------|-------------------|----------|
| 1 | 15346 | SPRING | 1,000 |
| 2 | 15356 | GOVERNOR BEARING | 1,000 |
| 3 | 15753 | SCREW | 1,000 |
| 4 | 17119 | LEVER | 1,000 |
| 5 | 17123 | LEVER | 1,000 |
| 6 | 17237 | STARTER ROD | 1,000 |
| 7 | 17238 | ROD | 1,000 |
| 8 | 17264 | REGULATOR AXLE | 1,000 |
| 9 | 17268 | COTTER PIN | 1,000 |
| 10 | 17269 | SPRING | 1,000 |
| 11 | 17271 | PLATE | 1,000 |
| 12 | 17572 | LEVER | 1,000 |
| 13 | 17592 | REGULATOR | 1,000 |
| 14 | 17632 | PROTECTION | 1,000 |
| 15 | 17734 | NUT | 1,000 |
| 16 | 17812 | ADJUST SCREW | 1,000 |
| 17 | 17835 | SPACER | 1,000 |
| 18 | 17845 | SPRING | 1,000 |
| 19 | 17859 | SPRING | 1,000 |
| 20 | 17864 | SPRING | 1,000 |
| 21 | 17898 | SPRING | 1,000 |
| 22 | 17921 | SCREW 6X12 | 1,000 |
| 23 | 17977 | RING | 1,000 |
| 24 | 17979 | WASHER | 1,000 |
| 25 | 18020 | SCREW 6X28 | 1,000 |
| 26 | 18037 | CABLE STOP | 1,000 |
| 27 | 18074 | WASHER 6.5X11.5X2 | 1,000 |
| 28 | 18277 | WASHER 6.2X20X0.5 | 1,000 |
| 29 | 18322 | WASHER | 1,000 |
| 30 | 18323 | NUT M6 | 1,000 |
| 31 | 18343 | VIS | 1,000 |

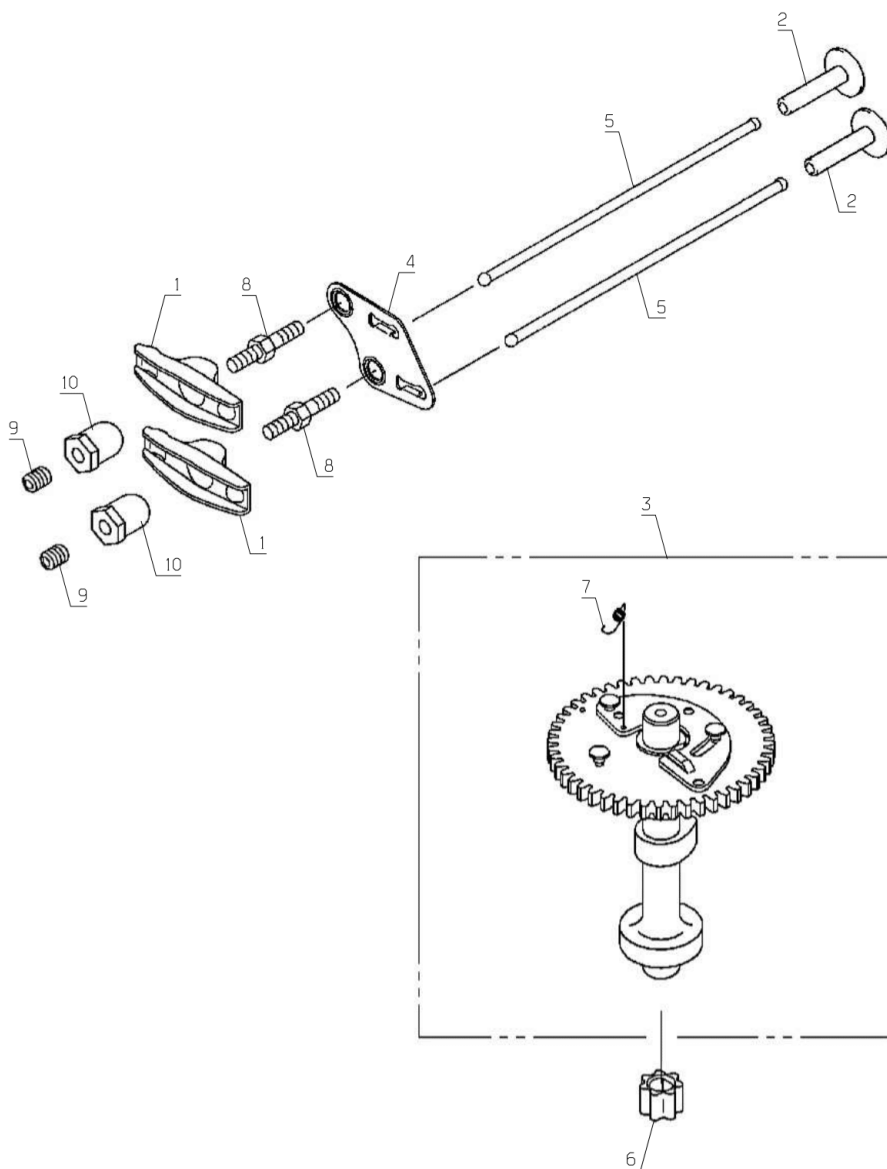
PL02309



01/2017

| Number | Part Number | Name | Quantity |
|--------|-------------|--------------------|----------|
| 1 | 15208 | PISTON | 1,000 |
| 2 | 15209 | PISTON AXLE | 1,000 |
| 3 | 15214 | PISTON RINGS SET | 1,000 |
| 4 | 15229 | CRANKSHAFT | 1,000 |
| 5 | 17124 | ROD ASSY | 1,000 |
| 6 | 17736 | GASKET 28X41,5X5,6 | 1,000 |
| 7 | 17737 | RING SNAP | 1,000 |

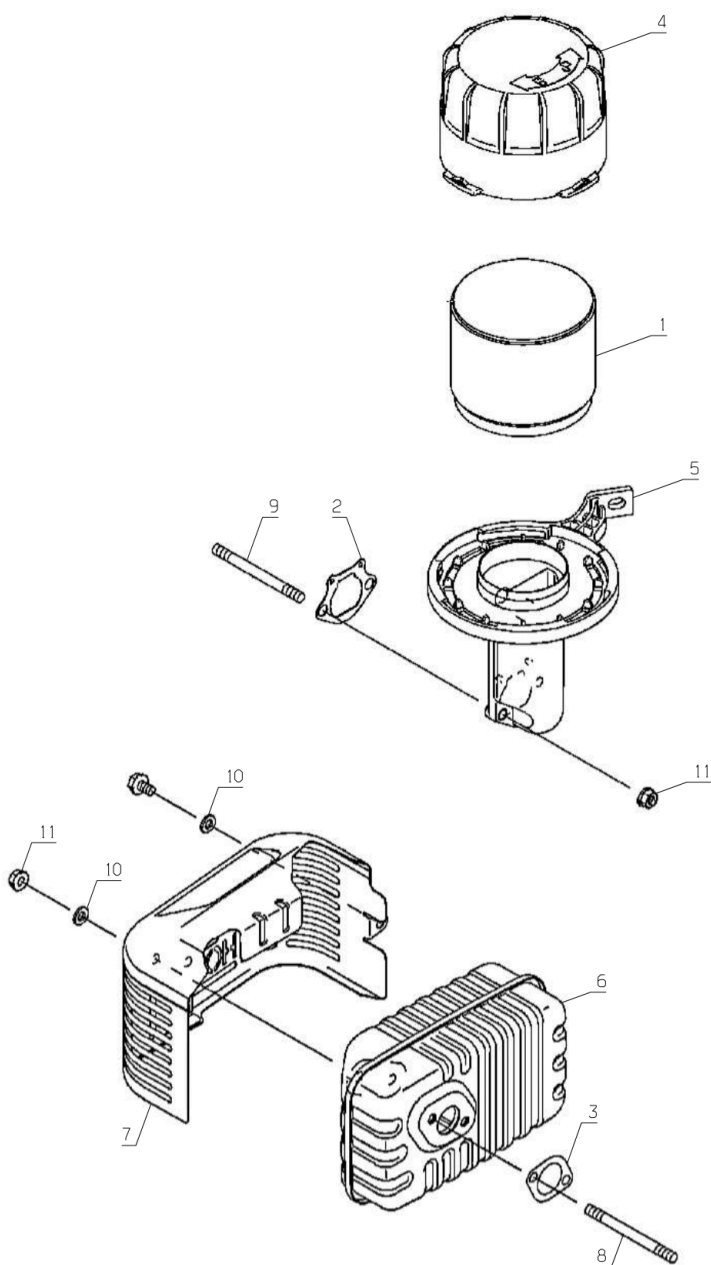
PL02310



01/2017

| Number | Part Number | Name | Quantity |
|--------|-------------|---------------|----------|
| 1 | 15200 | ROCKER LEVER | 1,000 |
| 2 | 15206 | TAPET | 1,000 |
| 3 | 15207 | CAMSHAFT ASSY | 1,000 |
| 4 | 15230 | GUIDE | 1,000 |
| 5 | 15244 | PUSH ROD | 1,000 |
| 6 | 17236 | PUMP GEAR | 1,000 |
| 7 | 17844 | SPRING | 1,000 |
| 8 | 17938 | PIN | 1,000 |
| 9 | 18038 | SCREW | 1,000 |
| 10 | 18326 | NUT | 1,000 |

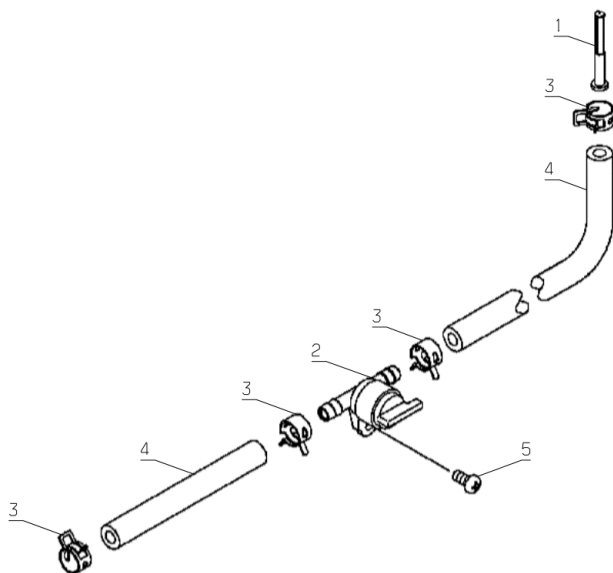
PL02311



01/2017

| Number | Part Number | Name | Quantity |
|--------|-------------|------------------|----------|
| 1 | 15141 | FILTER CARTRIDGE | 1,000 |
| 2 | 15189 | GASKET | 1,000 |
| 3 | 15190 | MUFFLER GASKET | 1,000 |
| 4 | 15195 | AIR FILTER COVER | 1,000 |
| 5 | 17224 | INTAKE PIPE | 1,000 |
| 6 | 17547 | MUFFLER | 1,000 |
| 7 | 17589 | HEAT PROTECTION | 1,000 |
| 8 | 17719 | STUD | 1,000 |
| 9 | 17732 | STUD | 1,000 |
| 10 | 18304 | WASHER | 1,000 |
| 11 | 18323 | NUT M6 | 1,000 |

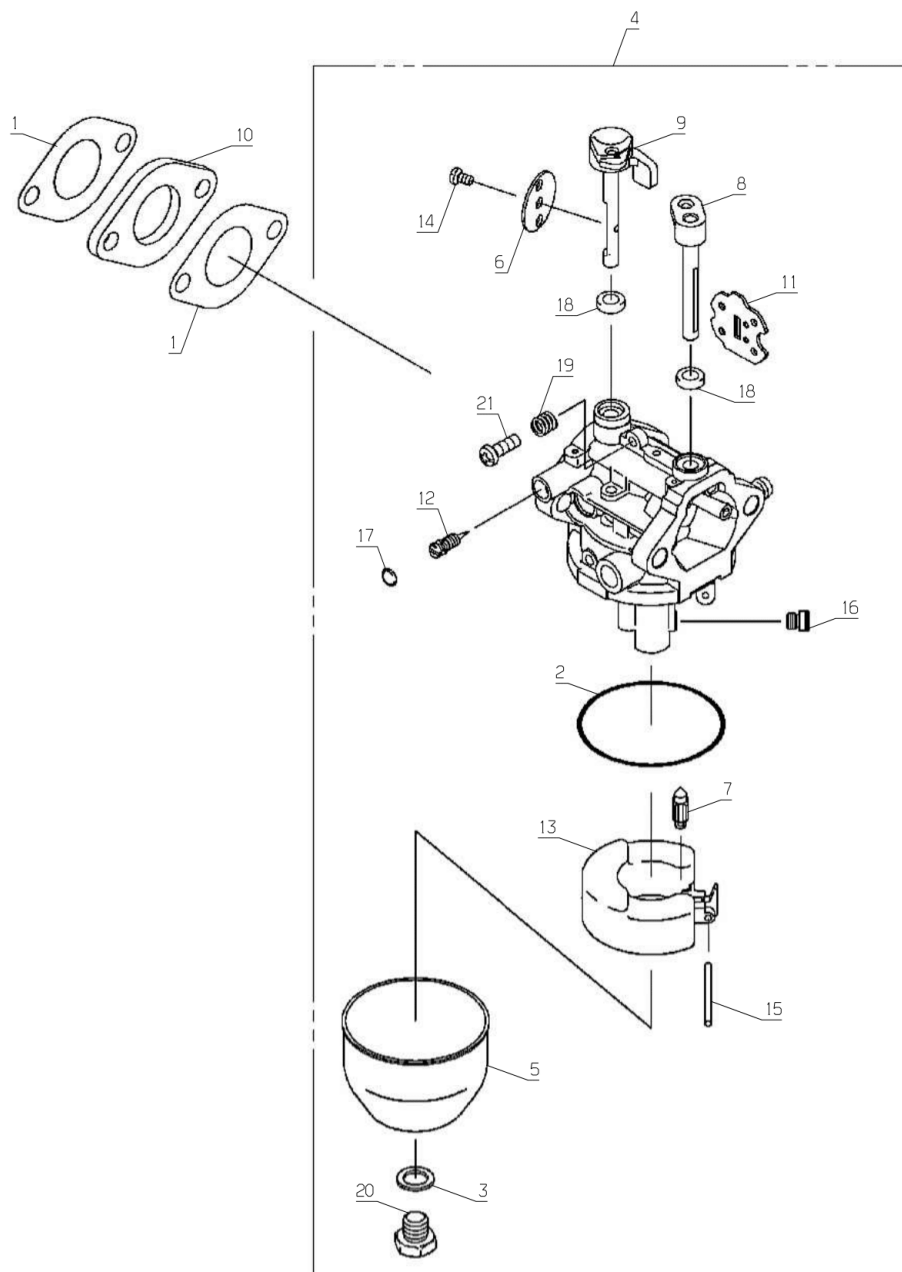
PL02312



01/2017

| Number | Part Number | Name | Quantity |
|--------|-------------|-----------------|----------|
| 1 | 17542 | INSERT | 1,000 |
| 2 | 17627 | FUEL STOP VALVE | 1,000 |
| 3 | 17878 | CLAMP | 1,000 |
| 4 | 18052 | GISE 220 | 1,000 |
| 5 | 18354 | SCREW | 1,000 |

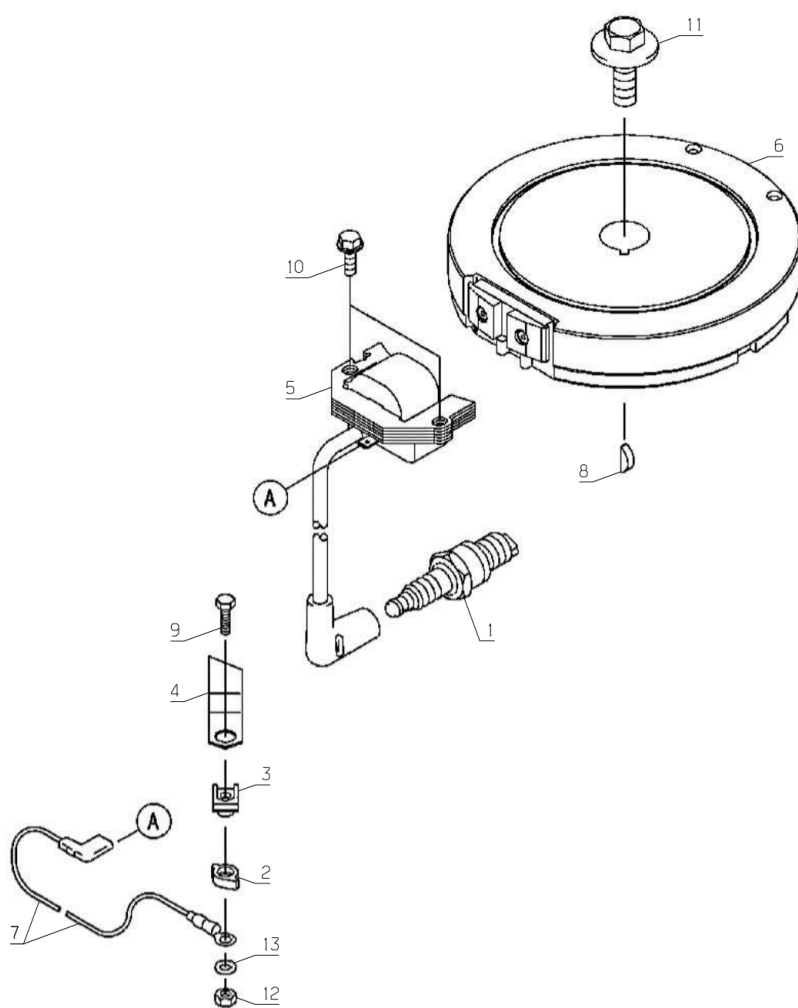
PL02313



01/2017

| Number | Part Number | Name | Quantity |
|--------|-------------|-----------------|----------|
| 1 | 15192 | GASKET | 1,000 |
| 2 | 15193 | GASKET | 1,000 |
| 3 | 15194 | GASKET | 1,000 |
| 4 | 17179 | CARBURETOR CPLT | 1,000 |
| 5 | 17188 | CHAMBER | 1,000 |
| 6 | 17199 | GAS FLAP | 1,000 |
| 7 | 17209 | FLOAT SPINDLE | 1,000 |
| 8 | 17214 | CHOCKE SHAFT | 1,000 |
| 9 | 17216 | GAS SHAFT | 1,000 |
| 10 | 17225 | INSULATOR | 1,000 |
| 11 | 17239 | CHOCKE FLAP | 1,000 |
| 12 | 17245 | SCREW | 1,000 |
| 13 | 17247 | FLOAT | 1,000 |
| 14 | 17733 | SCREW | 1,000 |
| 15 | 17769 | PIN | 1,000 |
| 16 | 17800 | MAIN JET | 1,000 |
| 17 | 17819 | PELLET | 1,000 |
| 18 | 17833 | GASKET | 1,000 |
| 19 | 17897 | SPRING | 1,000 |
| 20 | 18028 | SCREW | 1,000 |
| 21 | 18048 | SCREW | 1,000 |

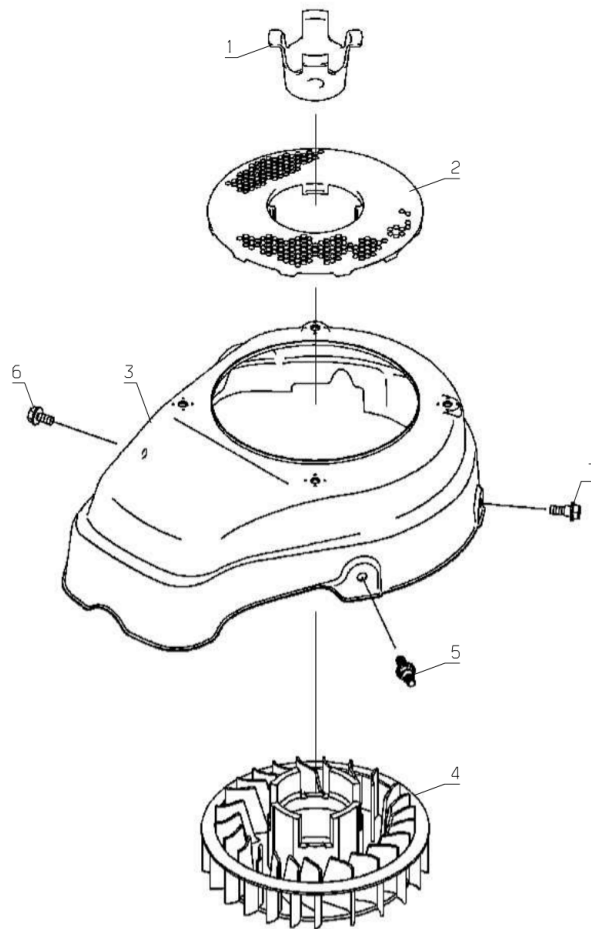
PL02314



01/2017

| Number | Part Number | Name | Quantity |
|--------|-------------|---------------------|----------|
| 1 | 3861 | SPARK PLUG D.14X19R | 1,000 |
| 2 | 17159 | COVER | 1,000 |
| 3 | 17232 | INSULATOR | 1,000 |
| 4 | 17251 | TERMINAL | 1,000 |
| 5 | 17252 | COIL | 1,000 |
| 6 | 17253 | FLYWHEEL | 1,000 |
| 7 | 17259 | CABLE | 1,000 |
| 8 | 17738 | KEY | 1,000 |
| 9 | 17950 | SCREW 4X16 | 1,000 |
| 10 | 17991 | SCREW 6X20 | 1,000 |
| 11 | 18000 | SCREW 12X30 | 1,000 |
| 12 | 21525 | NUT HM4 | 1,000 |
| 13 | 71061 | WASHER | 1,000 |

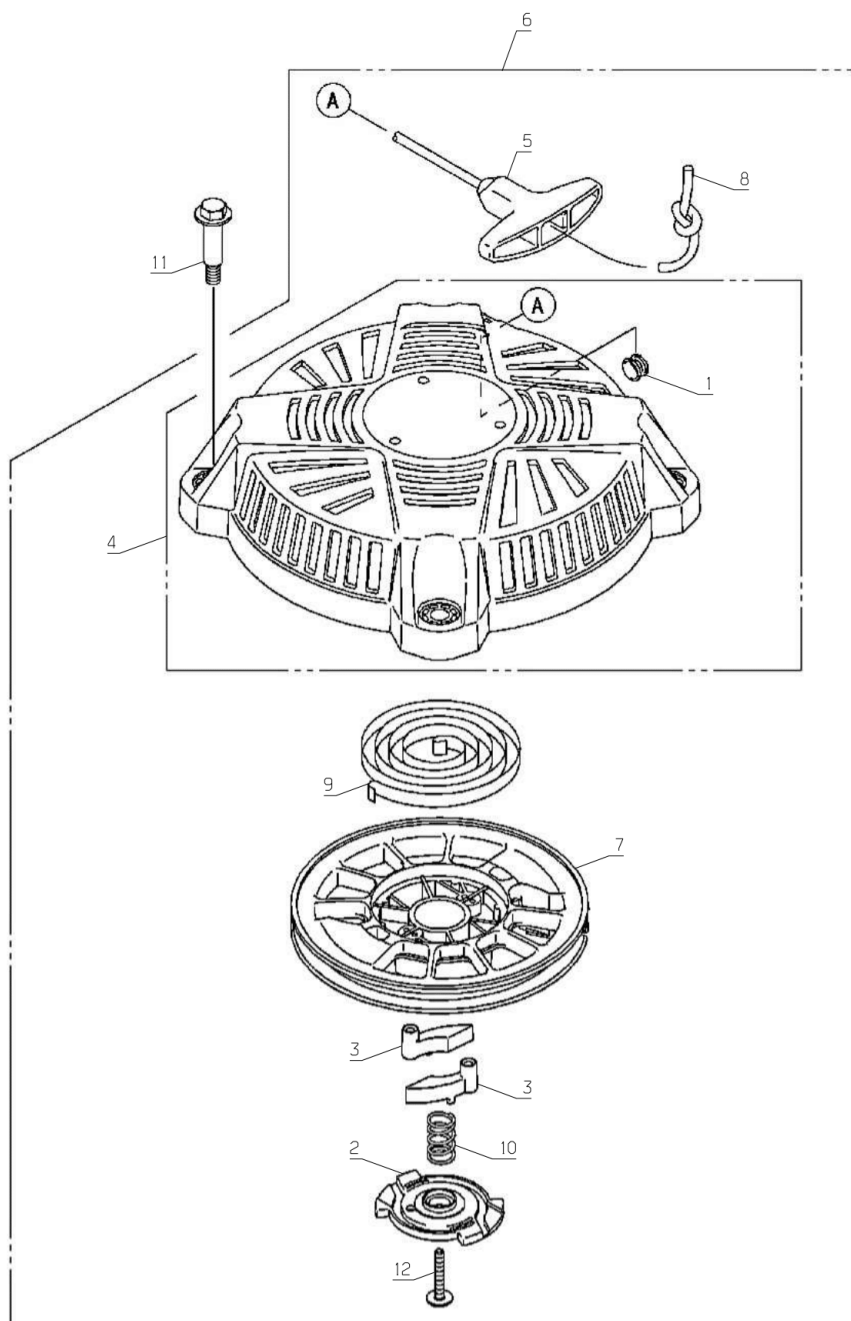
PL02315



01/2017

| Number | Part Number | Name | Quantity |
|--------|-------------|---------------|----------|
| 1 | 15151 | THRUST WASHER | 1,000 |
| 2 | 17129 | GRID | 1,000 |
| 3 | 17173 | SPIRAL | 1,000 |
| 4 | 17668 | FLYWHEEL | 1,000 |
| 5 | 17916 | SCREW | 1,000 |
| 6 | 17921 | SCREW 6X12 | 1,000 |
| 7 | 17933 | SCREW M6 | 1,000 |

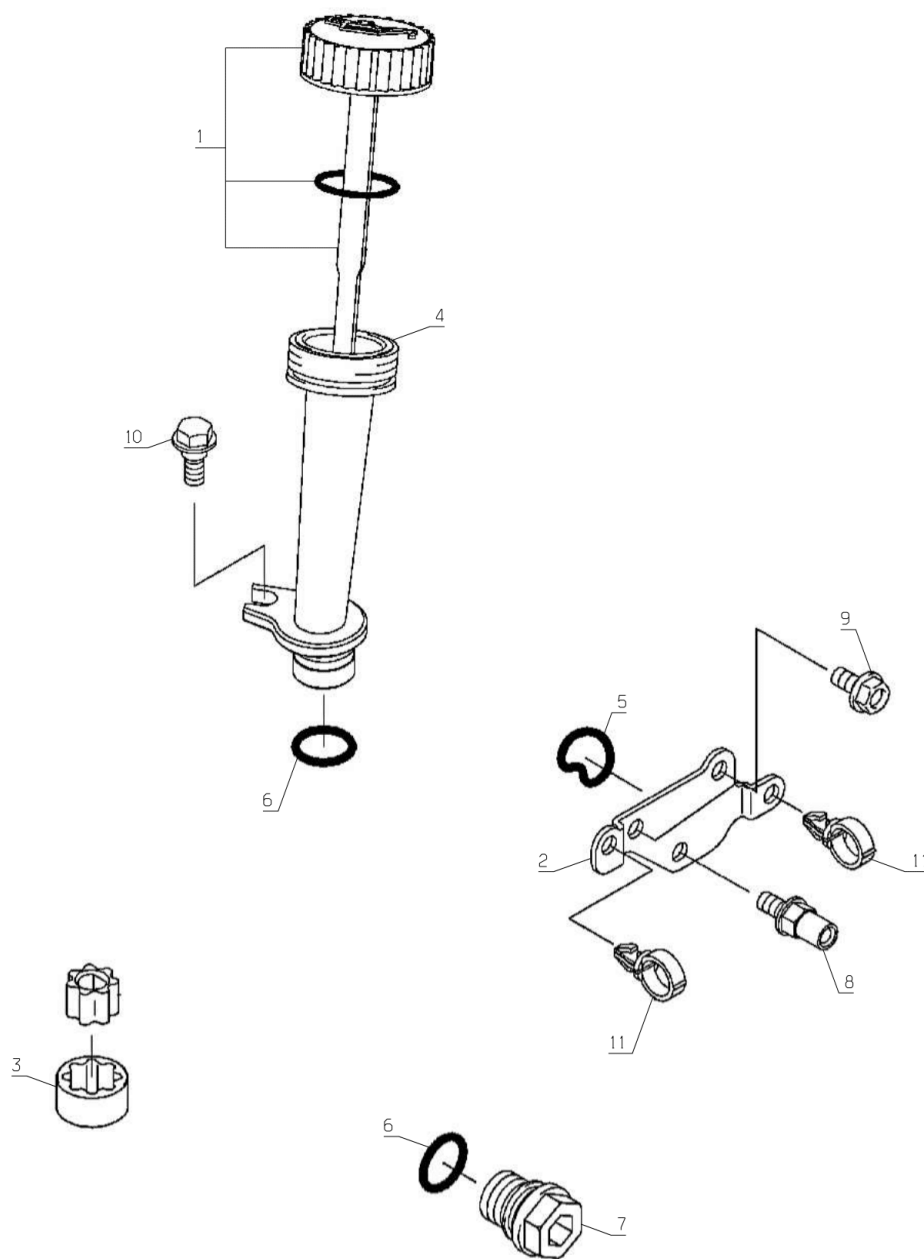
PL02316



01/2017

| Number | Part Number | Name | Quantity |
|--------|-------------|---------------------|----------|
| 1 | 15231 | ROPE GUIDE | 1,000 |
| 2 | 15241 | CLICK BRACKET | 1,000 |
| 3 | 17100 | CLICK | 1,000 |
| 4 | 17263 | CASE RECOIL STARTER | 1,000 |
| 5 | 17524 | GRIPP | 1,000 |
| 6 | 17559 | STARTER CPLT | 1,000 |
| 7 | 17676 | PULLEY | 1,000 |
| 8 | 17678 | STARTER CORD | 1,000 |
| 9 | 17865 | SPRING | 1,000 |
| 10 | 17896 | SPRING | 1,000 |
| 11 | 17958 | SCREW | 1,000 |
| 12 | 18045 | SCREW | 1,000 |

PL02317



01/2017

| Number | Part Number | Name | Quantity |
|--------|-------------|--------------|----------|
| 1 | 17142 | OIL GAUGE | 1,000 |
| 2 | 17157 | COVER | 1,000 |
| 3 | 17234 | PUMP BODY | 1,000 |
| 4 | 17718 | FILLING TUBE | 1,000 |
| 5 | 17783 | GASKET | 1,000 |
| 6 | 17787 | GASKET | 1,000 |
| 7 | 17814 | PLUG | 1,000 |
| 8 | 17919 | SCREW | 1,000 |
| 9 | 17921 | SCREW 6X12 | 1,000 |
| 10 | 17933 | SCREW M6 | 1,000 |
| 11 | 18036 | CLAMP | 1,000 |